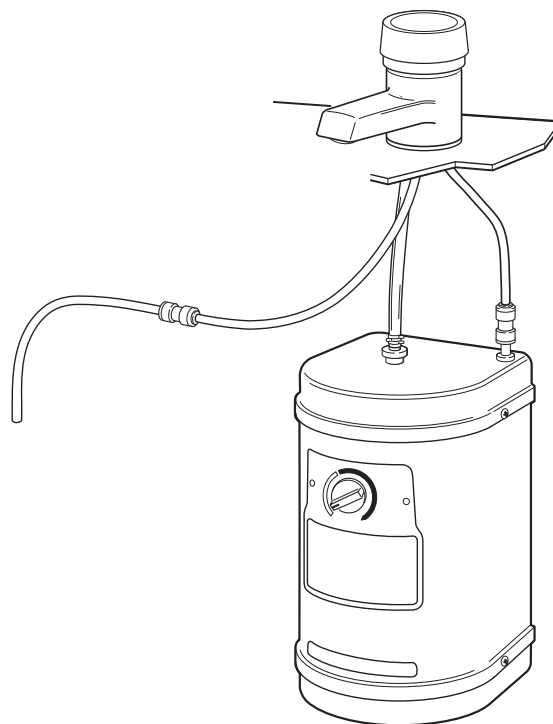


# KitchenAid\*

HOME APPLIANCES

## Instant Hot Hot Water Dispenser

## Installation Instructions and Use and Care Guide



**IMPORTANT:**

Read and save these instructions.

**IMPORTANT:**

**Installer:** Leave this guide with homeowner.

**Homeowner:** Keep this guide for future reference. Save this guide for local electrical inspector's use.

### A Note to You

#### Thank you for buying a KitchenAid\* appliance.

*KitchenAid designs the best tools for the most important room in your house. To ensure that you enjoy years of trouble-free operation, we developed this Use and Care Guide. It contains valuable information about how to install, operate and maintain your hot water dispenser properly and safely. Please read it carefully.*

*Also, please complete and mail the **Product Registration Card** provided with your hot water dispenser. This card helps us notify you about any new information for your hot water dispenser.*

### Record your model's information

Write down the following information about your hot water dispenser to better help you obtain assistance or service if you ever need it. You will need to know your complete model number and serial number. You can find this information on the model and serial number label/plate.

If you need assistance or service, first see the "Troubleshooting" section of this book. After checking "Troubleshooting," additional help can be found by checking the "Requesting Assistance or Service" section.

**Builder/dealer name** \_\_\_\_\_

**Address** \_\_\_\_\_

**Phone number** \_\_\_\_\_

**Model number** \_\_\_\_\_

**Serial number** \_\_\_\_\_

**Purchase date** \_\_\_\_\_

**Date installed** \_\_\_\_\_

*(See the "Parts and Features" section for model and serial number label/plate location.)*

**Keep this book and your sales slip together for future reference.**

# Table of Contents

<b>A Note to you</b> . . . . .	Cover	<b>Using Your Hot Water Dispenser</b> . . . . .	10	<b>Troubleshooting</b> . . . . .	12
<b>Hot Water Dispenser Safety</b> . . . . .	2	Before using the first time . . . . .	10	<b>Requesting Assistance or Service</b> . . . . .	13
<b>Parts and Features</b> . . . . .	3	Temperature control . . . . .	10	<b>Warranty</b> . . . . .	15
How your hot water dispenser works . . . . .	3	Dispensing hot water . . . . .	10		
<b>Before You Start</b> . . . . .	4	Hot water dispenser uses . . . . .	10		
Tools and materials needed . . . . .	5	<b>Caring For Your Hot Water Dispenser</b> . . . . .	11		
Parts supplied . . . . .	5	Energy-saving tips and preparation for periods of nonuse . . . . .	11		
Electrical requirements . . . . .	5	Cleaning the spout screen . . . . .	11		
Water supply requirements . . . . .	5				
Installation Instructions . . . . .	6				

## Hot Water Dispenser Safety

### Your safety and the safety of others is very important.

We have provided many important safety messages in this manual and on your appliance. Always read and obey all safety messages.



This is the safety alert symbol.

This symbol alerts you to hazards that can kill or hurt you and others.

All safety messages will be preceded by the safety alert symbol and the word "DANGER" or "WARNING". These words mean:

**⚠ DANGER**

You will be killed or seriously injured if you don't follow instructions.

**⚠ WARNING**

You can be killed or seriously injured if you don't follow instructions.

All safety messages will identify the hazards, tell you how to reduce the chance of injury, and tell you what can happen if the instructions are not followed.

### IMPORTANT SAFETY INSTRUCTIONS

**WARNING:** To reduce the risk of fire, electrical shock, or injury when using your hot water dispenser, follow these basic precautions:

- Plug into grounded 3 prong outlet.
- Do not remove ground prong.
- Do not use an adapter.
- Do not use an extension cord.
- Disconnect power before servicing.

# Parts and Features

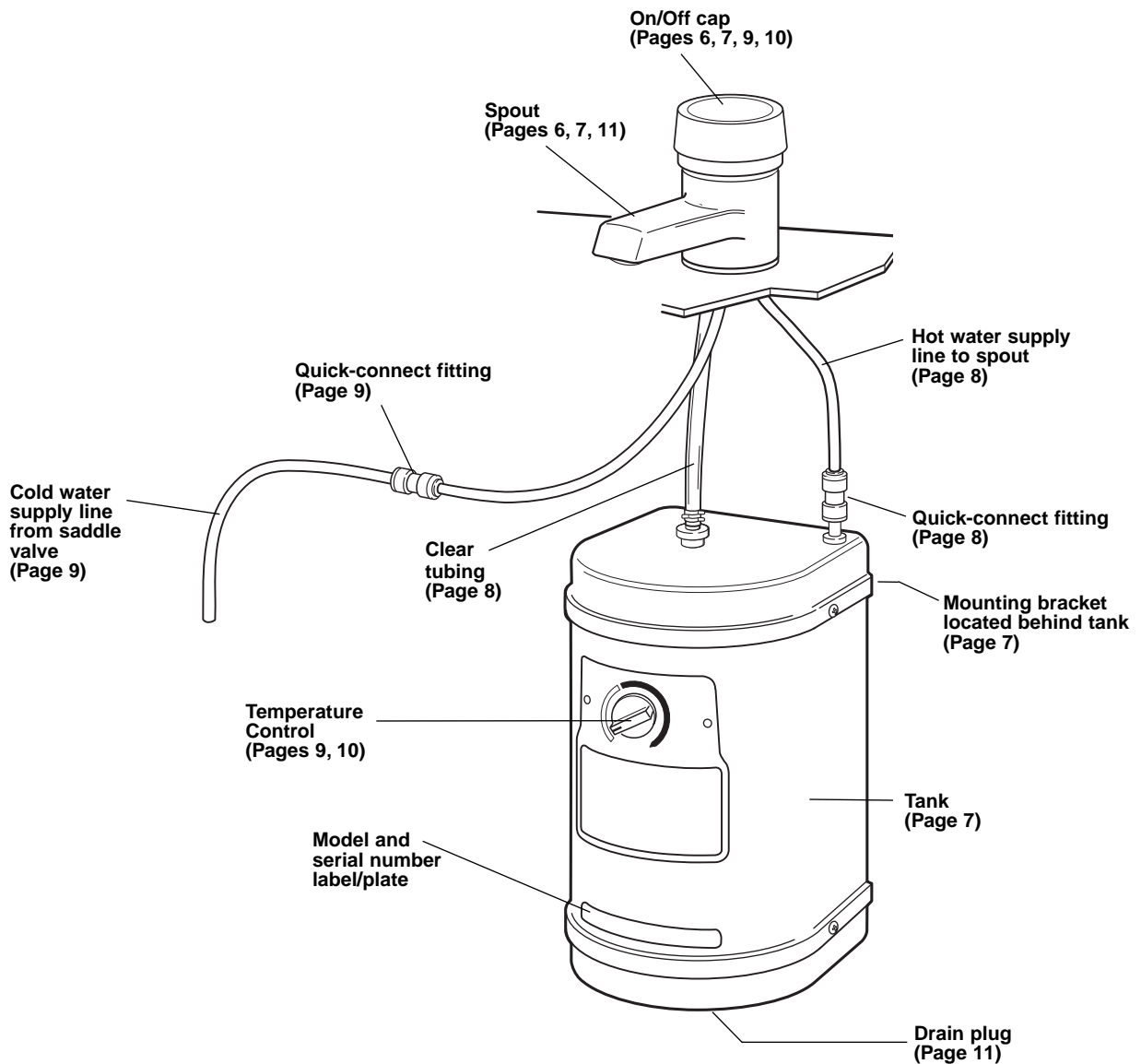
## How your hot water dispenser works

Water is electrically heated to a brewing/cooking hot 190°F (88°C) by a tank that mounts under the sink. A thermostat maintains it at this approximate temperature. When you turn the On/Off Cap, cold water

enters the bottom of the tank and forces hot water out of the faucet. The system is vented so the tank is not pressurized.

Use this hot water dispenser illustration to help you quickly learn how to install and use your new hot water dispenser. Page numbers are

listed to help you find more detailed information about that feature.



# Before You Start

Check location where hot water dispenser will be installed. Proper installation is your responsibility. Make sure you have everything necessary for correct installation. It is the responsibility of the installer to comply with installation specifications and with state and local plumbing codes.

**Spout** requires a 1-1/16" (2.7 cm) to 1-3/8" (3.5 cm) diameter opening in sink or countertop. Spout can be installed in place of sink spray hose. For other installations, contact a qualified installer for best procedure to drill a hole through your type of sink or countertop. Thickness of sink or countertop hole must not exceed 1-1/8" (2.9 cm).

**Cold water supply connection** must be available. (See "Water supply requirements," Page 5.)

**Grounded electrical outlet** is required. (See "Electrical requirements," Page 5.) The outlet should be located within 42" (106.7 cm) of hot water dispenser tank.

If spout is not to be installed in sink spray hose opening, contact a qualified installer for the best procedure for cutting a spout opening in your type of sink or countertop.

**Plumbing connections** must comply with all sanitary, safety and plumbing codes.

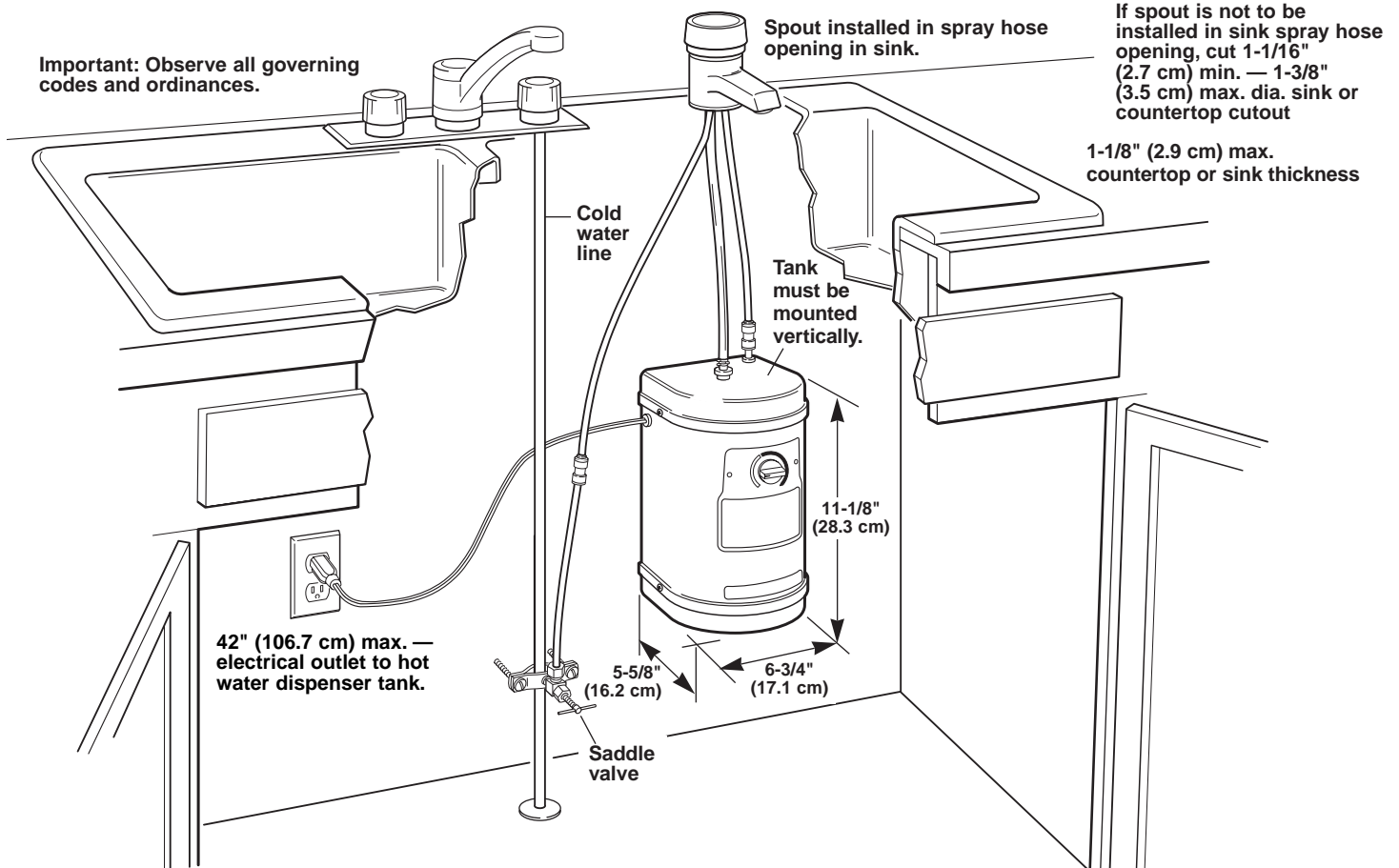
**Do Not** store or operate hot water dispenser below 32°F (0°C).

**Do Not** use pipe sealing compounds. They may get inside dispenser and cause an unpleasant taste or smell.

**Water connections** use quick-connect fittings which **Do Not** require sealing compounds to keep them from leaking.

**Temperature Control** must be turned to "Off" position and the dispenser tank filled before connecting to electrical supply.

This hot water dispenser is **Not** a water purifier. Some installations may require a water filtering system to improve the quality of water.



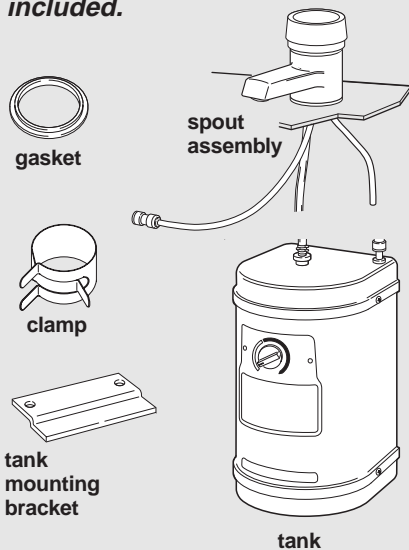
# Before You Start *cont.*

## Tools and materials needed



## Parts supplied

**Remove parts from packages. Check that all parts were included.**



## Electrical requirements

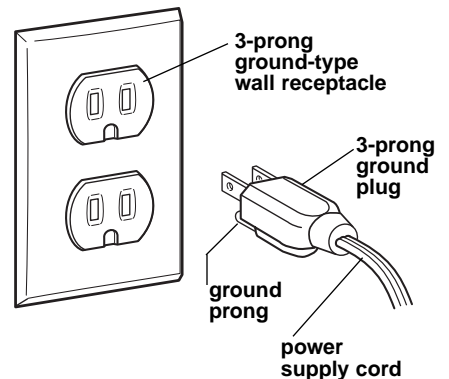
**! WARNING**



**Electrical Shock Hazard**  
Plug into a grounded 3 prong outlet.  
Do not remove ground prong.  
Do not use an adapter.  
Do not use an extension cord.  
Failure to follow these instructions can result in death, fire, or electrical shock.

**If codes permit and a separate ground wire is used, it is recommended that a qualified electrician determine that the ground path is adequate.**

A 120-volt, 60-Hz, AC-only 15- or 20- ampere fused, grounded electrical supply is required. It is recommended that a separate circuit serving only your hot water dispenser be provided. Use an outlet that cannot be turned on/off by a switch.



## Recommended ground method

For your personal safety, the hot water dispenser must be grounded. This appliance is equipped with a power supply cord having a 3-prong ground plug. To minimize possible shock hazard, the cord must be plugged into mating, 3-prong, ground-type wall receptacle, grounded in accordance with all national and local codes and ordinances. If a mating wall receptacle is not available, it is the personal responsibility and obligation of the customer to have a properly grounded, 3-prong, wall receptacle installed by a qualified electrician.

## Water supply requirements

If local codes permit, the hot water dispenser feed line should be connected to the cold water supply line using a saddle tapping valve.

**Important: If local codes Do Not permit the use of saddle valves, special feed valves can be obtained from your local plumbing supply distributor.**

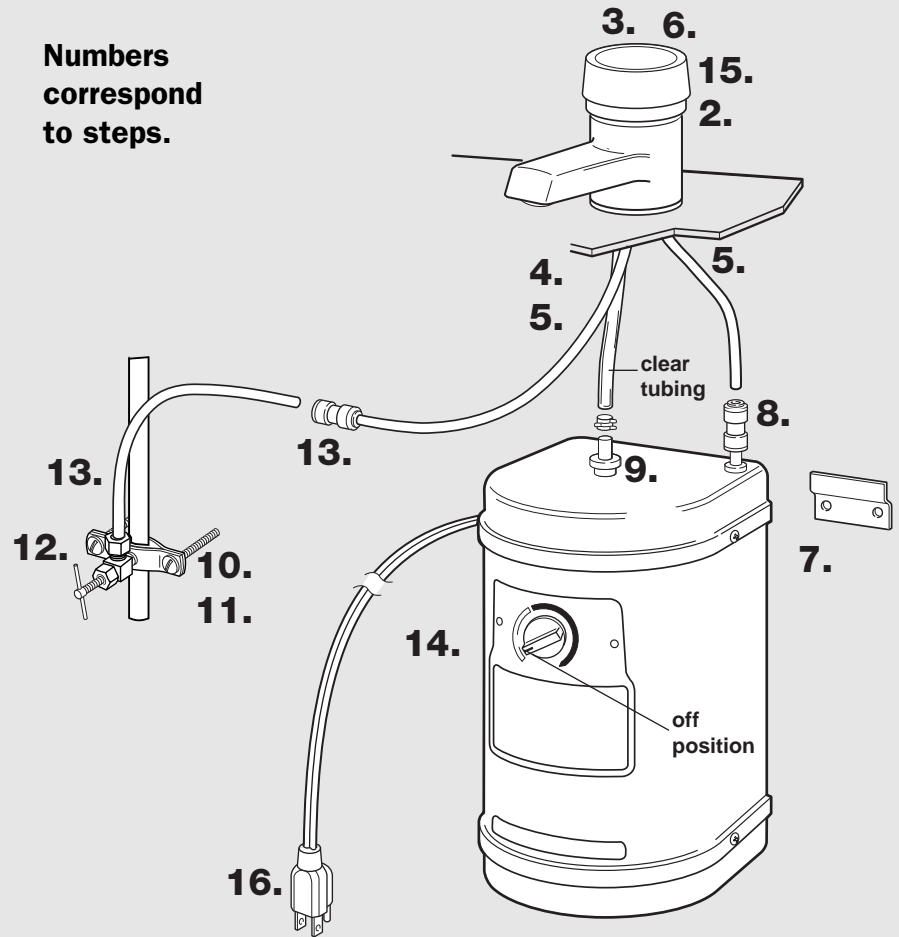
Connection to hot water line is not recommended. Energy will be wasted in heating the water twice and the magnesium rod used in household heating may produce a "rotten egg" taste.

If this unit is replacing a hot water dispenser connected to a hot water supply, the existing connection may be used.

A water filter is recommended if your water supply contains sand, grit or other particles. If a filter is used, the water pressure to the dispenser should not drop below 20 psi (138 kPa).

# Installation Instructions

Numbers correspond to steps.

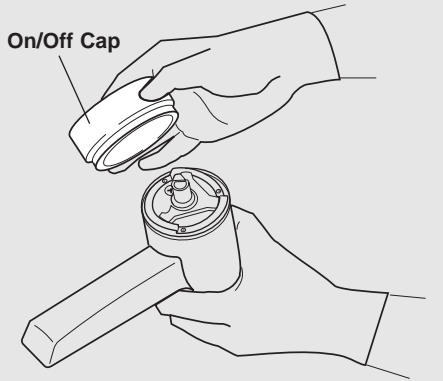


NOTE: Do NOT plug power supply cord into outlet.

**1.** Put on gloves and safety glasses.

**2.** Determine where you will install your hot water dispenser. Check below sink to assure that reinforcing ribs, support brackets or cabinet construction will not interfere with spout. Knock out plug from hole in sink or cut a hole in sink or countertop.

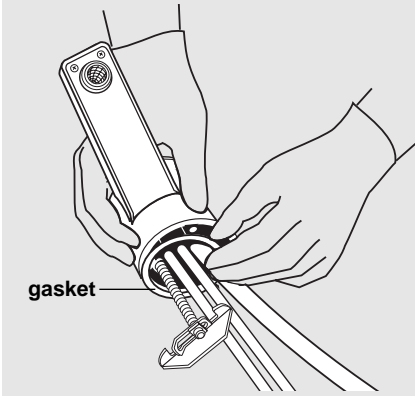
**NOTE:** It is recommended that only a licensed plumber or professional installer cut an opening in the sink or countertop.



**3.** Remove masking tape and tag from spout assembly. **Do Not remove quick-connect fittings from spout tubing or tank tubing.** Do not replace quick-connect fittings with brass fittings. Brass fittings can cause lead contamination.

Carefully pull On/Off Cap off the spout assembly and set aside.

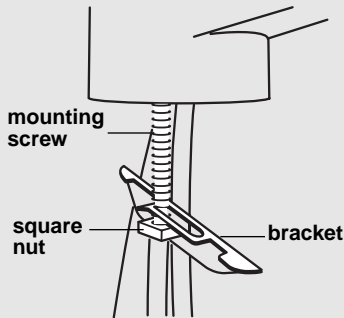
## Installation Instructions *cont.*



NOTE: Do NOT plug power supply cord into outlet.

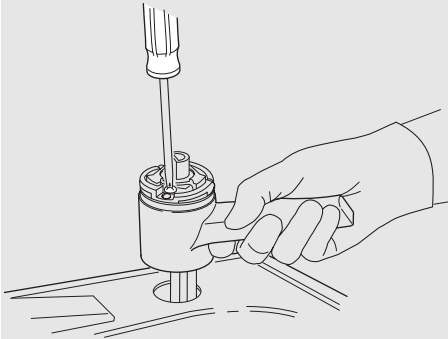
**4.** Lay spout assembly on flat surface with coiled tubing facing up. Using one hand to hold tubing just below spout, carefully straighten

tubing with other hand. Slide gasket over tubing so that lip side of gasket is seated into base of spout.

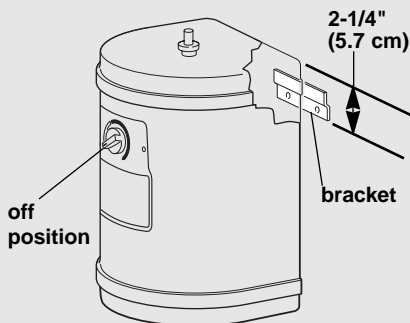


**5.** Loosen square nut until it is flush with end of the mounting screw. Tip spout bracket against mounting screw. (Bracket will form a "y" when in the correct position.)

Hold nut, bracket, gasket and tubing in position and insert into hole in sink or counter.



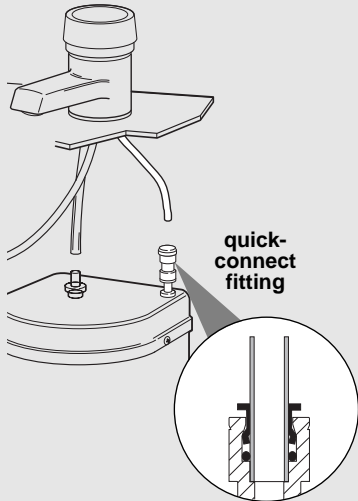
**6.** Pull up on spout body to keep tension on spout mounting bracket and nut. Tighten screw inside the spout until spout is securely in position. **Do not overtighten.** Snap on On/Off Cap.



**7.** Position tank vertically beneath spout so that clear tubing from spout reaches center stainless tubing on tank, and tank touches wall. Use a pencil to mark on the wall where the top of tank needs to be located. Set tank aside. Mark a second line 2-1/4" (5.7 cm) below the first line.

Position mounting bracket on wall so that bottom of mounting bracket is even with the lower line. Use two screws (and plastic anchors if attaching to dry wall) to fasten mounting bracket to wall. Hang tank on bracket.

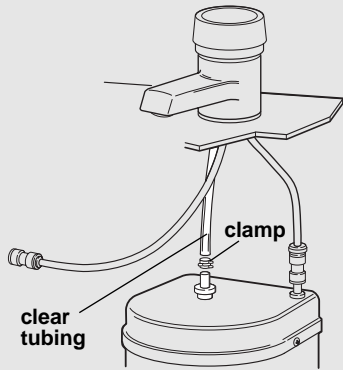
## Installation Instructions *cont.*



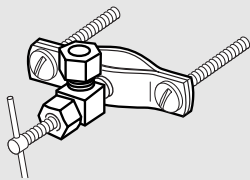
NOTE: Do NOT plug power supply cord into outlet.

**8.** Connect 1/4" (6.4 mm) spout tubing (longer tubing) to the rear quick-connect fitting on top of tank. Push tubing straight into fitting as far as it will go. Pull on tubing. The tubing should not come out when properly installed.

**Do Not lengthen, twist or tightly bend tubing.**

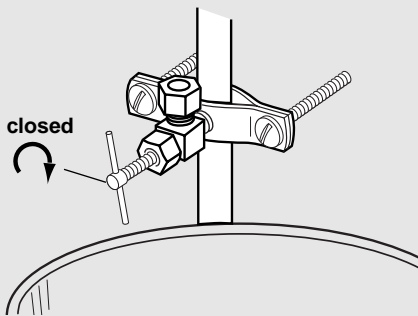


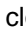
**9.** Connect clear tubing from spout to center tank tubing using clamp. Make sure clear tubing does not kink.



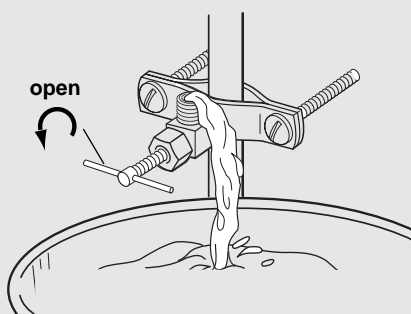
**10.** Install saddle valve following kit instructions. If water supply line is not copper, shut off water supply and

drain line. Drill a 1/4" (6.4 mm) hole into water supply line for the saddle valve piercing pin.



**11.** Turn saddle valve handle clockwise  until lance pierces soft copper tubing and valve is firmly seated. If the water line is not copper, turn the saddle valve handle clockwise until the valve is firmly seated. The valve is now in the closed position.

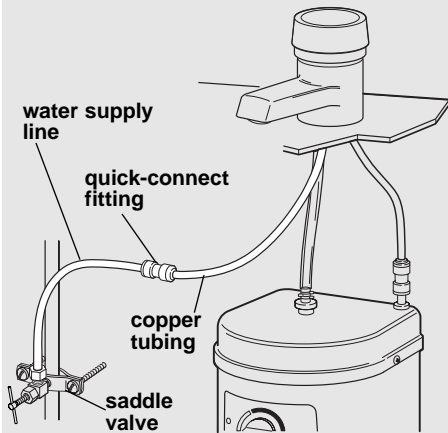
Place a bucket under open end of water supply line. Turn on main water supply valve to pressurize cold water line. Check for leaks.




**12.** Slowly open saddle valve and flush line into bucket to remove any foreign material that may have been trapped in the supply line during saddle valve installation. Close saddle valve.

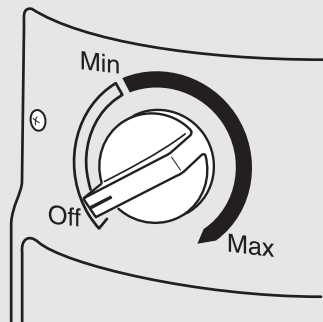


## Installation Instructions *cont.*



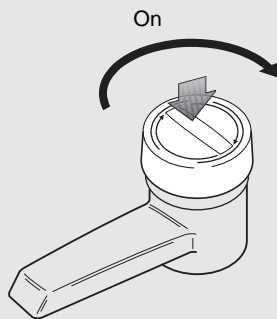
**13.** Connect water supply line from saddle valve to spout copper tubing with the factory-assembled quick-connect fitting. Push water supply line tubing straight into fitting as far as it will go. Pull on tubing.

The tubing should not come out when properly installed. Turn the saddle valve handle counterclockwise  to open water line.



NOTE: Do NOT plug power supply cord into outlet.

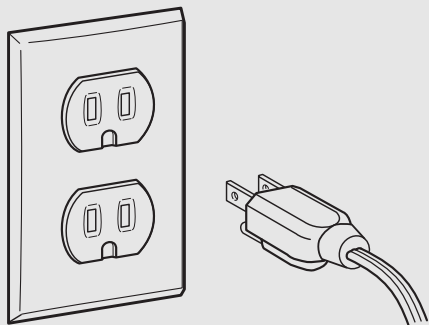
**14.** Turn Temperature Control counterclockwise to "Off" position.



**15.** Push down and turn the On/Off Cap clockwise to open spout. Hold cap open to fill tank (about 1 minute). When tank is full, water will flow from spout. Release cap.

**NOTE:** Turn Temperature Control to "Off" position before plugging hot water dispenser into power supply. If tank is empty and thermostat is in an "On" position when the

power supply cord is connected, the heater will overheat causing an unpleasant taste, black specks in the water, and permanent damage to the heater seals.



**16.** Plug power supply cord into grounded outlet.

Turn Temperature Control clockwise to highest position.

Water in tank will reach maximum temperature in approximately 15 minutes.

When water is heating, you may hear gurgling noises coming from the tank. There may also be some spitting or

hot water flow from the faucet. This is normal for the initial heat-up of the dispenser.

Turn Temperature Control to lower temperature setting if you notice vapor or hear boiling noise.

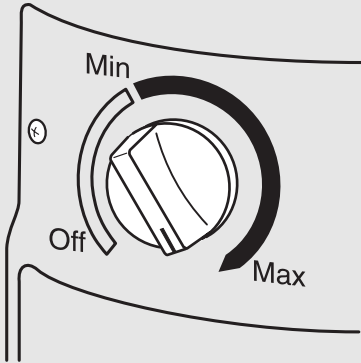
**NOTE:** Temperature Control controls tank heater, not water delivery. Rotate Temperature Control clockwise to raise water temperature, counterclockwise to lower water temperature.

# Using Your Hot Water Dispenser

## Before using the first time

Check that installation steps 14-16 were completed.

The hot water dispenser can be permanently damaged if these steps are not followed.

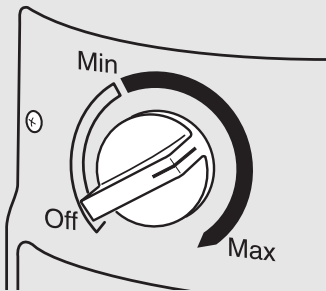


## Temperature control

The water temperature is thermostatically controlled. It can be adjusted from "Off" to approximately 190°F (88°C).

To raise or lower the temperature, turn the Temperature Control. The "Max" setting is recommended for

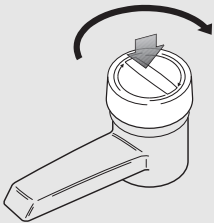
best performance. However, under certain conditions, it is possible for the water to boil when the Temperature Control is set at "Max." If you see any vapor or hear boiling, turn Temperature Control to lower temperature as necessary.



## Dispensing hot water

Push down and turn the On/Off Cap clockwise and hold until desired amount of hot water is obtained. You can control the flow of water by how

far you turn the cap. For maximum flow, turn cap until it stops. Release the On/Off Cap to turn off water.



## Hot water dispenser uses

Regardless of what food you are preparing, you'll appreciate the convenience and time saved by your hot water dispenser. The dispenser allows you to draw the amount of hot

water you require [up to 2 quarts (14.8 liters) at one time]. It eliminates the need to heat a full teakettle for a cup of hot water.

## Preparing instant foods and drinks

Instant foods that require only 190°F (88°C) water for complete preparation include:

- coffee
- tea
- hot chocolate
- soup or bouillon
- mashed potatoes
- instant cereal
- frosting mix

## Cooking shortcuts

190°F (88°C) water will give you a fast start for any food you cook that requires boiling water such as:

- packaged dinners
- fresh or frozen vegetables
- dried soup
- meat cooked in liquid
- hot cereals
- pasta and rice
- boiling eggs

## Other uses

- loosening jar lids
- peeling tomatoes or peaches
- dissolving gelatin
- thawing frozen foods
- preparing vegetables for canning

# Caring For Your Hot Water Dispenser

## Energy-saving tips and preparation for periods of nonuse

On average, you will use your hot water dispenser to heat 7 to 8 cups (1.7 to 1.9 liters) of water per day. This uses only 19 kilowatt-hours of energy per month. So it is Not necessary to turn off the hot water

dispenser each night to conserve energy.

However, if the hot water dispenser will not be used for an extended period of time, follow these instructions:

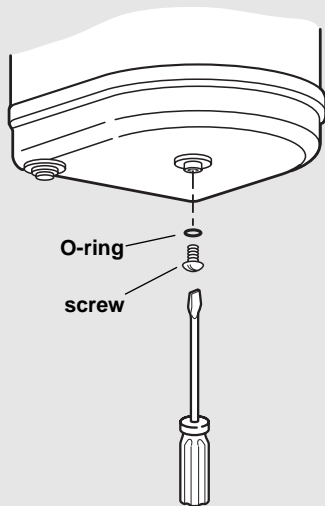
### For short periods (2-30 days of nonuse):

Set the Temperature Control to the "Off" position to conserve energy.

### For long periods of nonuse (winterizing, seasonal storage or protection from freezing):

*When ready to use the dispenser again, follow Installation Instruction steps 14-16, page 9. Do Not Turn Unit On If Tank Is Empty. Damage to the unit will result and is not covered by the warranty.*

1. Turn Temperature Control to the "Off" position.
2. Unplug hot water dispenser power supply cord.
3. Turn On/Off Cap, hold and run water until water is cold.
4. Turn saddle valve handle clockwise to turn off water supply.
5. Place a 3-quart (2.8 liter) minimum container under the drain plug at the bottom of the tank.
6. Use a screwdriver to remove the screw and O-ring from the drain tube.
7. Replace the screw and O-ring in the drain tube opening. Tighten the screw to reseal the drain.

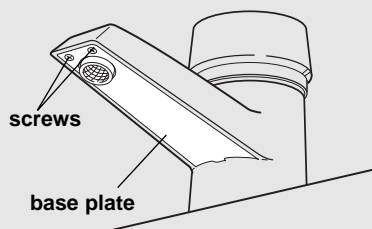


## Cleaning the spout screen

If you have very hard water, and you notice that the water flow is reduced,

it may be necessary to clean the spout screen.

1. Turn Temperature Control to the "Off" position. Push down and turn On/Off Cap clockwise and run water until it is cold to avoid possibility of burn.
2. Remove the two spout screws.
3. Remove spout base plate.
4. Pull the screen assembly out of the hot water tube.
5. Use a small brush and vinegar to remove hard-water deposit. If deposit has hardened, soak in vinegar for an hour or two. Then use a brush to clean.
6. Replace screen assembly in tube. Reattach plate back onto spout.
7. Turn Temperature Control to the "Max" setting. The dispenser will be ready in about 15 minutes.



# Troubleshooting

## Before calling for service...

If hot water dispenser does not operate, check these points first:

- Has circuit breaker tripped or house fuse blown?
- Is the Temperature Control set to the "Off" position?
- Is the electrical outlet controlled by a switch?
- Is power supply cord plugged in?
- Has the water supply been turned off?

If you need more help, check the chart below. This could save you the cost of a service call for a problem that is not covered by the warranty.

PROBLEM	CHECK THE FOLLOWING
<b>Water is not hot.</b>	<ul style="list-style-type: none"><li>■ Check that the circuit breaker is not tripped or the house fuse blown.</li><li>■ Check that power supply cord is plugged into electrical outlet.</li><li>■ Check if the electrical outlet is operated by a switch. The switch may have turned power off.</li><li>■ Cold water in tank is still being heated. Wait 15 minutes and check temperature again.</li><li>■ Check that the Temperature Control is set to the "Max" setting.</li></ul>
<b>Vapor appears, dispenser makes boiling water noises, or water is too hot.</b>	<ul style="list-style-type: none"><li>■ Adjust Temperature Control to a lower setting that eliminates the vapor or noise. If you live at a high altitude, you may need to lower the thermostat setting to keep water from boiling.</li></ul>
<b>Hot water drips or sputters from spout.</b>	<ul style="list-style-type: none"><li>■ Check that tubing is not bent or kinked.</li><li>■ Adjust Temperature Control to a lower setting that eliminates the drips or sputters.</li><li>■ Check that spout screen is not clogged. See "Caring For Your Hot Water Dispenser," Page 11.</li><li>■ Check for proper installation of copper tubing from spout to storage tank and from spout to cold water line. See "Installation Instructions," Pages 8-9.</li></ul>
<b>Water does not flow from spout.</b>	<ul style="list-style-type: none"><li>■ Check that water supply valve is open.</li><li>■ Check that spout screen is not clogged. See "Caring For Your Hot Water Dispenser," Page 11.</li><li>■ If a water filter is used, check that water pressure to hot water dispenser is 20 psi (138 kPa) minimum.</li></ul>
<b>Leaking saddle valve.</b>	<ul style="list-style-type: none"><li>■ Tighten saddle valve clamp screws evenly and firmly. Keep both halves of bracket parallel. Do Not crush water supply tubing.</li></ul>
<b>Water has a "rotten egg" taste.</b>	<ul style="list-style-type: none"><li>■ Hot water dispenser is attached to hot water line. Attach to cold water line.</li><li>■ Install a water filtration system on cold water line to dispenser.</li></ul>

# Requesting Assistance or Service

To avoid unnecessary service calls, please check the “Troubleshooting Guide” section. It may save you the cost of a service call. If you still need help, follow the instructions below.

## If you need assistance or service in U.S.A.

**Call the KitchenAid Consumer Assistance Center toll-free at 1-800-422-1230 or visit [www.kitchenaid.com](http://www.kitchenaid.com).**

**Our consultants are available to assist you.**

When calling: Please know the purchase date, and the complete model and serial number of your appliance (see the “A Note to You” section). This information will help us better respond to your request.



**Our consultants provide assistance with:**

- Features and specifications on our full line of appliances
- Installation information
- Use and maintenance procedures

- Accessory and repair parts sales
- Specialized customer assistance (Spanish speaking, hearing impaired, limited vision, etc.)
- Referrals to local dealers, service companies, and repair parts distributors

**KitchenAid service technicians** are trained to fulfill the product warranty and provide after-warranty service anywhere in the United States.

To locate the authorized KitchenAid service company in your area, you can also look in your telephone directory Yellow Pages.

## If you need replacement parts

If you need to order replacement parts, we recommend that you use only factory-authorized parts. These parts will fit right and work right, because they are made to the same exacting specifications used to build every new KitchenAid\* appliance.

To locate factory-authorized parts in your area, call our Consumer Assistance Center telephone number, your nearest authorized service center, or **1-800-442-9991**.

## For further assistance

If you need further assistance, you can write to KitchenAid with any questions or concerns at:

KitchenAid Brand Home Appliances  
Consumer Assistance Center  
c/o Correspondence Dept.  
2000 North M-63  
Benton Harbor, MI 49022-2692

Please include a daytime phone number in your correspondence.

# Requesting Assistance or Service

Before calling for assistance or service, please check the “Troubleshooting Guide” section. It may save you the cost of a service call. If you still need help, follow the instructions below.

## If you need assistance or service in Canada

### 1. If the problem is not due to one of the items listed in “Troubleshooting Guide”† ...



Contact the dealer from whom you purchased your appliance, or call the KitchenAid Canada Consumer Assistance Centre toll-free, **8:30 a.m. – 6 p.m. (EST)**, at **1-800-461-5681** or visit **www.kitchenaid.com**.

### 2. If you need service† ...

Contact your nearest KitchenAid Canada Appliance Service branch or authorized servicing outlet to service your appliance. (See list below.) Make sure the service company you contact is authorized to service your appliance during the warranty period.

† When asking for assistance or service, please provide a detailed description of the problem, your appliance’s complete model and serial numbers, and the purchase date. (See the “A Note to You” section.) This information will help us respond properly to your request.

### KitchenAid Canada Appliance Service – Consumer Services

Direct service branches:

<b>BRITISH COLUMBIA</b>		1-800-665-6788
<b>ALBERTA</b>		1-800-661-6291
<b>ONTARIO</b> (except 807 area code)	Ottawa area	1-800-267-3456
	Outside the Ottawa area	1-800-807-6777
<b>MANITOBA, SASKATCHEWAN</b> and 807 area code in ONTARIO		1-800-665-1683
<b>QUEBEC</b>	Montreal (except South Shore)	1-800-361-3032
	South Shore Montreal	1-800-361-0950
	Quebec City	1-800-463-1523
	Sherbrooke	1-800-567-6966
<b>ATLANTIC PROVINCES</b>		1-800-565-1598

## For further assistance

If you need further assistance, you can write to KitchenAid Canada with any questions or concerns at:

Consumer Relations Department  
KitchenAid Canada  
1901 Minnesota Court  
Mississauga, Ontario L5N 3A7

Please include a daytime phone number in your correspondence.

# KitchenAid\*

## INSTANT HOT\* Water Dispenser Warranty

LENGTH OF WARRANTY:	KITCHENAID WILL PAY FOR:	KITCHENAID WILL NOT PAY FOR:
<b>ONE YEAR FULL WARRANTY</b> FROM DATE OF INSTALLATION	Replacement parts and repair labor costs to correct defects in materials or workmanship. Service must be provided by an authorized KitchenAid servicing outlet.	<b>A. Service calls to:</b> <ol style="list-style-type: none"> <li>1. Correct the installation of the Instant-Hot Water Dispenser.</li> <li>2. Instruct you how to use the Instant-Hot Water Dispenser.</li> <li>3. Replace house fuses or correct house wiring.</li> <li>4. Replace house plumbing.</li> </ol> <b>B. Repairs when Instant-Hot Water Dispenser is used in other than normal home use.</b> <b>C. Damage resulting from accident, alteration, misuse, abuse, improper installation, or installation not in accordance with local electrical codes or plumbing codes.</b> <b>D. Replacement parts or repair labor costs for units operated outside the United States.</b> <b>E. Pickup and delivery. This product is designed to be repaired in the home.</b> <b>F. In Canada, travel or transportation expenses for customers who reside in remote areas.</b>

2/98

**KITCHENAID AND KITCHENAID CANADA DO NOT ASSUME ANY RESPONSIBILITY FOR INCIDENTAL OR CONSEQUENTIAL DAMAGES.** Some states or provinces do not allow the exclusion or limitation of incidental or consequential damages, so this exclusion or limitation may not apply to you.

**This warranty gives you specific legal rights, and you may also have other rights which may vary from state to state or province to province.**

**Outside the United States and Canada, a different warranty may apply. For details, please contact your authorized KitchenAid dealer.**

If you need service, first see the "Troubleshooting Guide" section of this book. After checking the "Troubleshooting Guide," additional help can be found by checking the "Requesting Assistance or Service" section or by calling our Consumer Assistance Center, **1-800-422-1230** (toll-free), from anywhere in the U.S.A. or in Canada **1-800-461-5681**.

PART NO. 3192759

Pièce N° 3192759

©1999 KitchenAid, U.S.A.

\*Trademark of KitchenAid, U.S.A., KitchenAid Canada licensee in Canada.

\*Marque de commerce de KitchenAid, U.S.A., KitchenAid Canada porteur de licence au Canada.

Printed in U.S.A.  
Imprimé aux É.U.

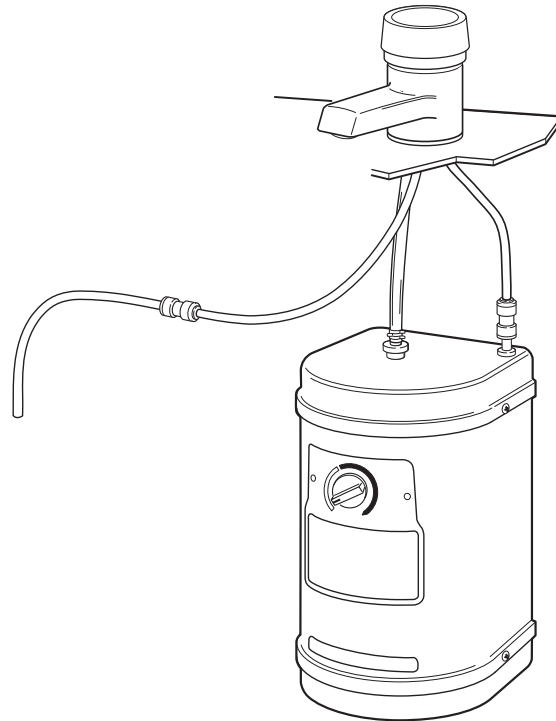


# KitchenAid\*

APPAREILS MÉNAGERS

**Distributeur  
d'eau chaude  
Instant Hot\***

## Instructions d'installation et Guide d'utilisation et d'entretien



**IMPORTANT :**

Lire et conserver ces instructions.

**IMPORTANT :**

**Installateur :** Remettre ce guide au propriétaire.

**Propriétaire :** Conserver ce guide pour référence ultérieure et pour référence par l'inspecteur local des installations électriques.

### Note à l'utilisateur

**Nous vous remercions de votre achat d'un appareil ménager KitchenAid\*!**

*KitchenAid conçoit les meilleurs outils pour la pièce la plus importante dans votre maison. Nous avons préparé ce guide d'utilisation et d'entretien pour que votre appareil puisse vous fournir de nombreuses années de service sans problème. Il contient des renseignements importants concernant l'utilisation et l'entretien convenables et en sécurité de votre nouvel appareil. Veuillez le lire attentivement.*

*Veuillez également remplir et nous retourner la **carte ci-jointe d'enregistrement du produit** fournie avec votre distributeur d'eau chaude. Grâce à cette carte, nous pouvons vous aviser de tout nouveau renseignement concernant votre distributeur d'eau chaude.*

### Inscrivez les renseignements concernant votre modèle

Inscrivez les renseignements suivants à propos de votre distributeur d'eau chaude pour pouvoir plus facilement obtenir de l'assistance ou un service au besoin. Vous devrez connaître le numéro de modèle et le numéro de série complet de l'appareil. Vous pouvez trouver cette information sur la plaque signalétique.

Si vous avez besoin d'assistance ou de service, consulter d'abord la section «Diagnostic» dans cette brochure. Après avoir consulté la section «Diagnostic» on peut également obtenir de l'aide à la section «Demande d'assistance ou de service».

**Constructeur/marchand**

---

**Adresse**

---

**Numéro de téléphone**

---

**Numéro de modèle**

---

**Numéro de série**

---

**Date d'achat**

---

**Date d'installation**

---

*(Voir la section «Pièces et caractéristiques» pour l'emplacement de la plaque signalétique.)*

**Conserver cette brochure et la facture d'achat ensemble en lieu sûr pour consultation ultérieure.**

# Table des matières

<b>Note à l'utilisateur</b>	Couverture	Alimentation en eau - spécifications . . . . .	5	Conseils d'économie d'énergie et préparation pour une période de non- utilisation . . . . .	11
<b>Sécurité du distributeur d'eau chaude</b> . . . . .	2	<b>Utilisation de votre distributeur d'eau chaude</b> . . . . .	10	Nettoyage du tamis de filtration du robinet . . . . .	11
<b>Pièces et caractéristiques</b> . . . . .	3	Avant la première utilisation . . . . .	10	<b>Diagnostic</b> . . . . .	12
Fonctionnement de votre distributeur d'eau chaude . . . . .	3	Commande de la température . . . . .	10	<b>Demande d'assistance ou de service</b> . . . . .	13
<b>Avant de commencer</b> . . . . .	4	Distribution d'eau chaude . . . . .	10	<b>Garantie</b> . . . . .	15
Outillage et matériaux nécessaires . . . . .	5	Usages du distributeur d'eau chaude . . . . .	10		
Accessoires fournis . . . . .	5	<b>Entretien de votre distributeur d'eau chaude</b> . . . . .	11		
Alimentation électrique - spécifications . . . . .	5				

## Sécurité du distributeur d'eau chaude

### Votre sécurité et celle des autres est très importante.

Nous donnons de nombreux messages de sécurité importants dans ce manuel et sur votre appareil ménager.



Assurez-vous de toujours lire tous les messages de sécurité et de vous y conformer.

Voici le symbole d'alerte de sécurité.

Ce symbole d'alerte de sécurité vous signale les dangers susceptibles de causer le décès et des blessures graves.

Tous les messages de sécurité seront précédés du symbole d'alerte de sécurité et du mot «DANGER» ou «AVERTISSEMENT».

Ces mots signifient :

**⚠ DANGER**

Risque certain de décès ou de blessure grave si vous ne suivez pas les instructions.

**⚠ AVERTISSEMENT**

Risque possible de décès ou de blessure grave si vous ne suivez pas les instructions.

Tous les messages de sécurité identifient le danger et vous disent comment réduire le risque de blessure et ce qui peut se produire en cas de non-respect des instructions.

### IMPORTANTES INSTRUCTIONS DE SÉCURITÉ

**AVERTISSEMENT : Pour réduire le risque d'incendie, de choc électrique ou de blessure pendant l'usage du distributeur d'eau chaude, suivre les précautions fondamentales suivantes :**

- Brancher dans une prise à 3 alvéoles reliées à la terre.
- Ne pas ôter la broche de mise à la terre.
- Ne pas utiliser un adaptateur.
- Ne pas utiliser un cordon de rallonge.
- Interrompre le courant avant le service.

# Pièces et caractéristiques

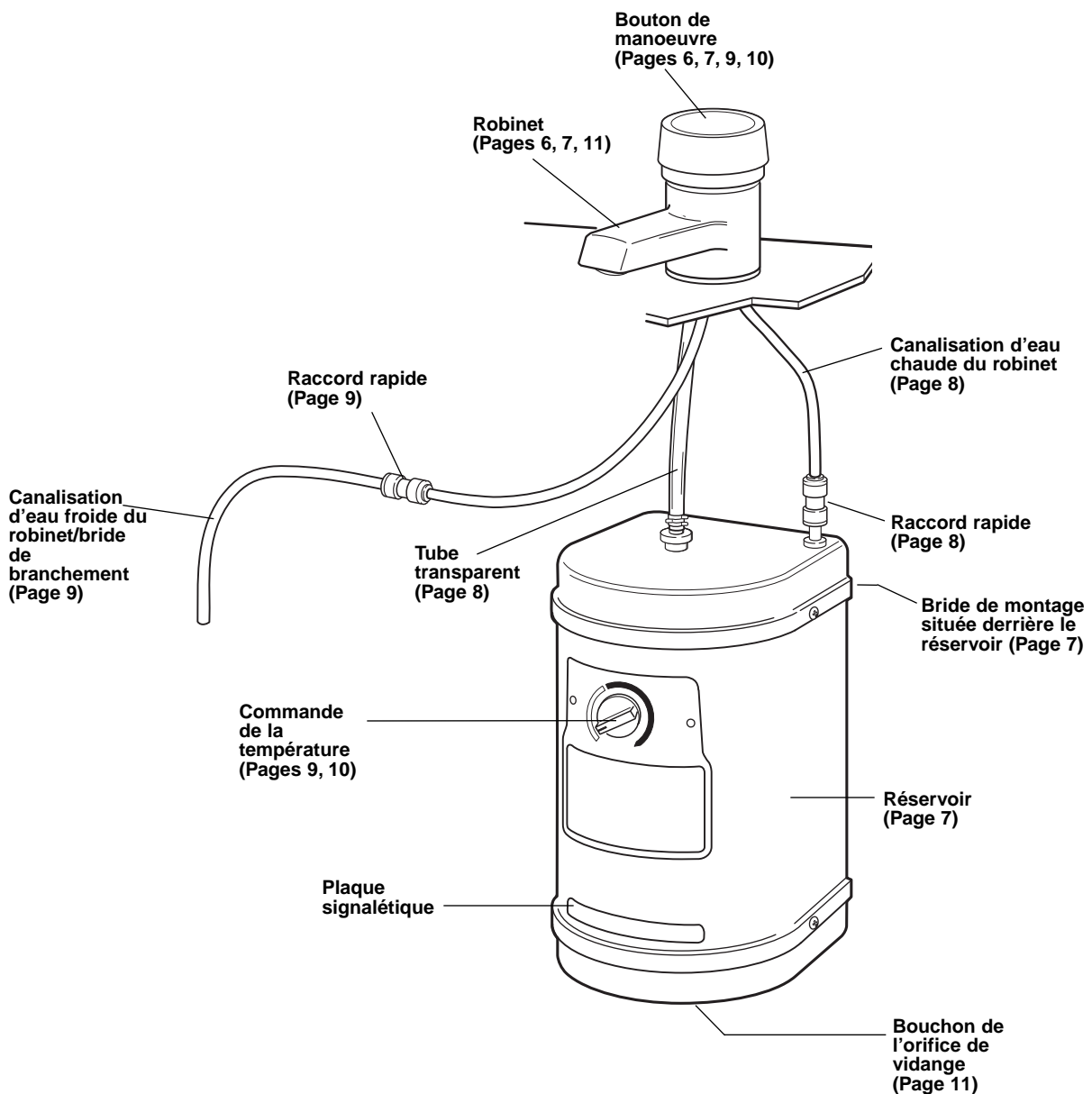
## Fonctionnement de votre distributeur d'eau chaude

L'eau est chauffée électriquement à une température d'infusion/cuisson de 88°C (190°F) par un réservoir monté sous l'évier. Un thermostat maintient l'eau à cette température approximative. Quand vous tournez

le bouton de manoeuvre, l'eau froide pénètre au fond du réservoir et force l'eau chaude hors du robinet. Le système est ventilé de telle sorte que le réservoir n'est pas pressurisé.

Utiliser cette illustration du distributeur d'eau chaude pour apprendre rapidement comment installer et utiliser votre nouveau distributeur d'eau chaude. Les numéros de page sont indiqués

pour vous aider à trouver des renseignements plus détaillés à propos de cette caractéristique.



## Avant de commencer

Inspecter l'emplacement où le distributeur d'eau chaude sera installé. C'est à l'installateur qu'incombe la responsabilité de réaliser une installation correcte. Veiller à disposer de tout le matériel nécessaire pour une installation correcte. C'est à l'installateur qu'incombe la responsabilité de respecter les prescriptions des spécifications d'installation et des codes de plomberie local et provincial.

**Robinet de puisage :** On doit disposer sur le comptoir ou le bord de l'évier d'un trou de diamètre 2,7 cm (1 1/16 po) à 3,5 cm (1 3/8 po). Le robinet de puisage peut être installé à la place du tuyau d'aspersion de l'évier. Pour une autre configuration d'installation, consulter un installateur qualifié au sujet de la meilleure méthode pour le perçage d'un trou dans le rebord de l'évier ou le comptoir. L'épaisseur du matériau à percer ne doit pas dépasser 2,9 cm (1 1/8 po).

On doit disposer d'un **moyen de raccordement à la canalisation d'eau froide.** (Voir «Alimentation en eau - Spécifications», page 5).

**Une prise de courant électrique reliée à la terre** est nécessaire. (Voir «Alimentation électrique - Spécifications», page 5). La prise de courant devrait être située à moins de 106,7 cm (42 po) du réservoir du distributeur d'eau chaude.

**Si le robinet de puisage n'est pas installé dans le trou de passage du tuyau d'aspersion, contacter un installateur qualifié pour déterminer la meilleure méthode de perçage du trou permettant l'installation du robinet de puisage**

sur le comptoir ou le bord de l'évier. Le raccordement à la canalisation d'eau doit satisfaire les prescriptions des codes de plomberie et des règlements sanitaires et de sécurité.

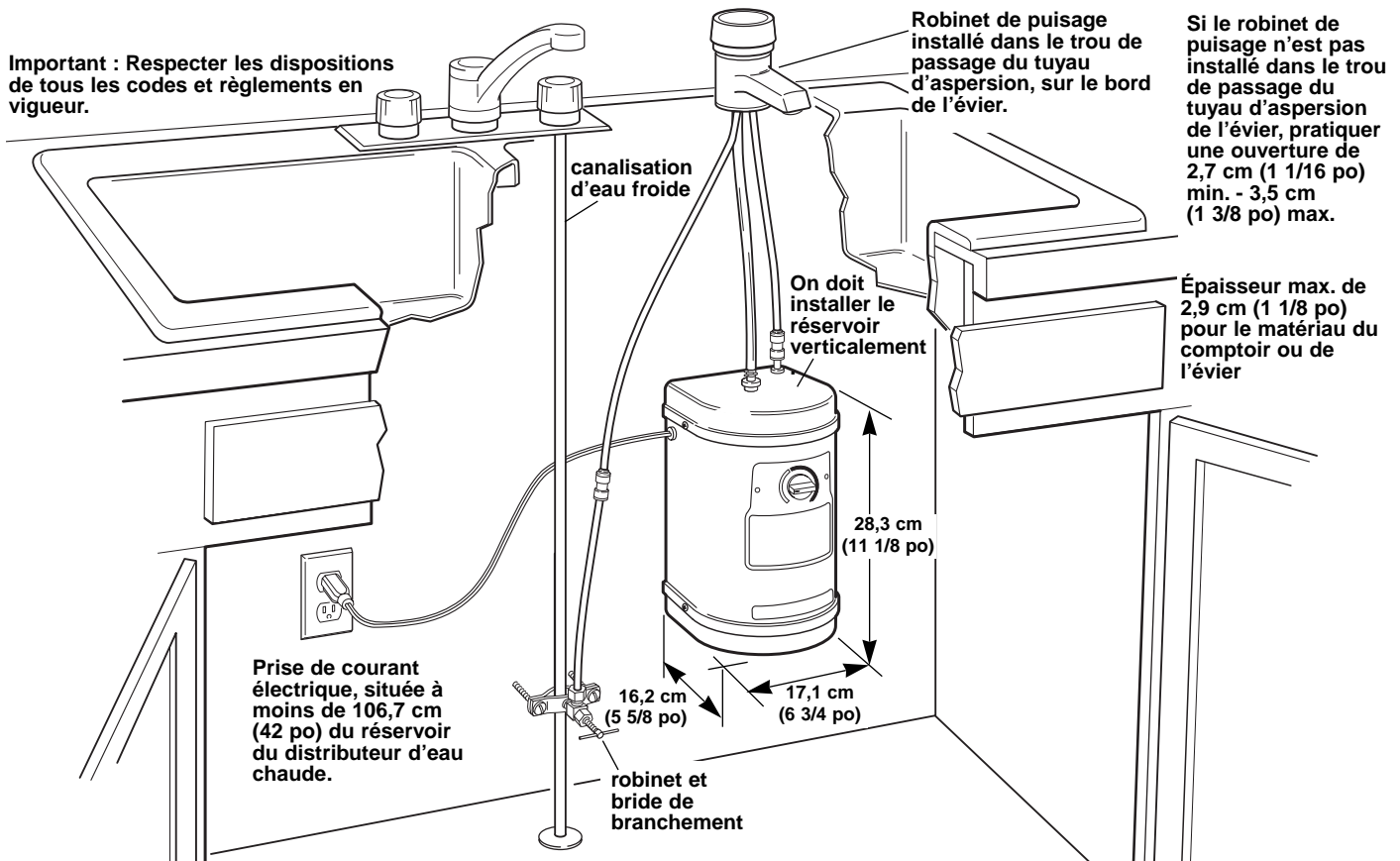
**Ne pas entreposer ou faire fonctionner le distributeur d'eau chaude à une température inférieure à 0°C (32°F).**

**Ne pas utiliser de composé d'étanchéité des tuyaux. Un tel composé pourrait pénétrer à l'intérieur du distributeur et constituer une source de goût ou d'odeur désagréable.**

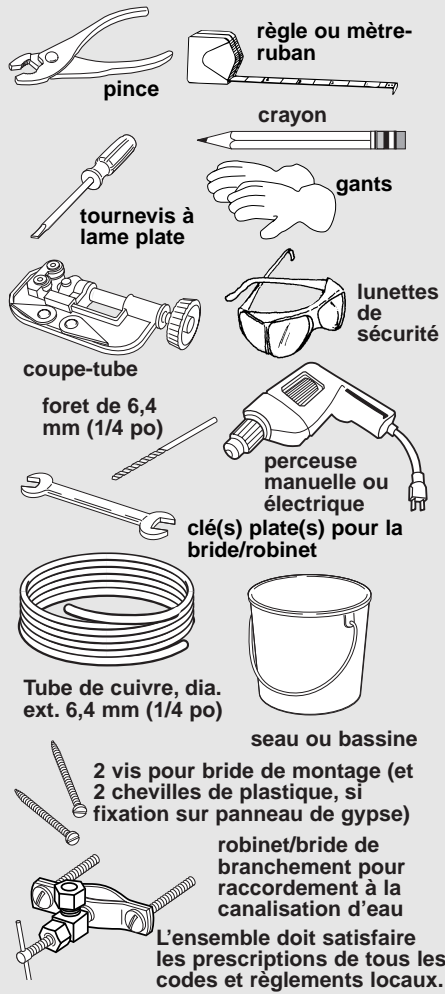
Pour le raccordement à la canalisation d'eau, utiliser des raccords rapides ne nécessitant pas l'emploi d'un composé d'étanchéité.

**Avant de raccorder le distributeur d'eau chaude au réseau électrique, on doit le remplir d'eau et régler la commande de température à la position d'arrêt «OFF».**

Ce distributeur d'eau chaude n'est pas un purificateur d'eau. Certaines installations peuvent nécessiter la mise en place d'un système de filtration pour l'amélioration de la qualité de l'eau.



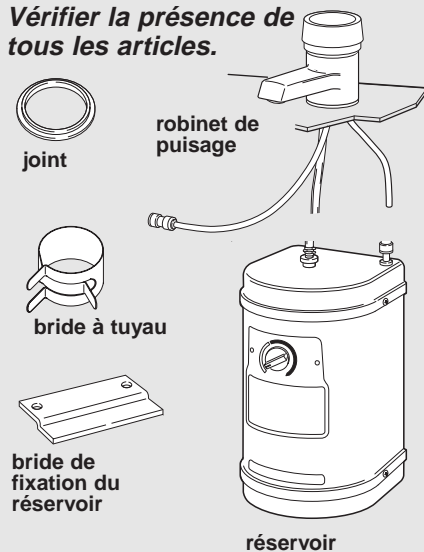
## Outillage et matériaux nécessaires pour l'installation



## Pièces fournies

Retirer ces articles de leur emballage.

Vérifier la présence de tous les articles.



## Alimentation électrique - Spécifications

### ⚠ AVERTISSEMENT



**Risque de choc électrique**  
**Brancher dans une prise à 3 alvéoles reliée à la terre.**  
**Ne pas ôter la broche de mise à la terre.**  
**Ne pas utiliser un adaptateur.**  
**Ne pas utiliser un cordon de rallonge.**  
**Le non-respect de ces instructions peut causer un décès, un incendie ou un choc électrique.**

Si on utilise un conducteur distinct de liaison à la terre lorsque le code local le permet, il est recommandé qu'un électricien qualifié vérifie la qualité de la liaison à la terre.

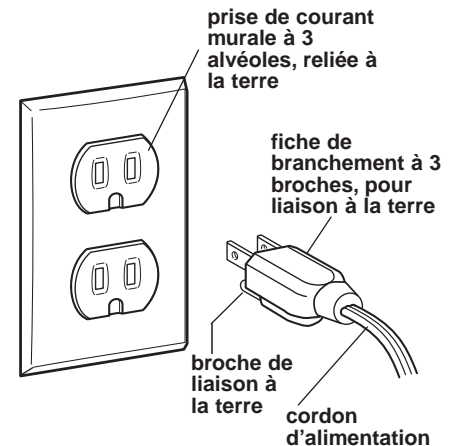
L'appareil doit être alimenté par un circuit de 120 volts, 60 Hz, CA seulement, protégé par fusible de 15 ou 20 A et relié électriquement à la terre. Il est recommandé qu'un circuit distinct soit utilisé seulement pour le distributeur d'eau chaude. Utiliser une prise qui ne peut être commandée par un interrupteur.

## Alimentation en eau - Spécifications

Si le code local le permet, on peut raccorder le distributeur d'eau chaude à la canalisation d'eau froide à l'aide de l'ensemble robinet à pointeau/bride de branchement.

**Important : Si le code local ne permet pas l'utilisation d'un ensemble robinet/bride de branchement, on doit utiliser un dispositif de branchement avec robinet spécial, disponible chez les fournisseurs locaux d'articles de plomberie.**

On déconseille le raccordement de l'appareil à une canalisation d'eau chaude. Il y aurait un gaspillage d'énergie car l'eau serait soumise à



## Méthode recommandée pour la liaison à la terre

Pour la sécurité des utilisateurs, il faut que ce distributeur d'eau chaude soit relié à la terre. Cet appareil est équipé d'un cordon d'alimentation électrique doté d'une fiche de branchement à 3 broches, pour liaison à la terre. Pour minimiser le risque de choc électrique, on doit brancher le cordon sur une prise de courant murale à 3 alvéoles de même configuration, reliée à la terre, conformément aux prescriptions des codes et règlements nationaux et locaux. Si une prise de courant murale de configuration appropriée n'est pas disponible, c'est à l'utilisateur qu'incombe la responsabilité et l'obligation personnelles de faire installer par un électricien qualifié une prise de courant murale à 3 alvéoles correctement reliée à la terre.

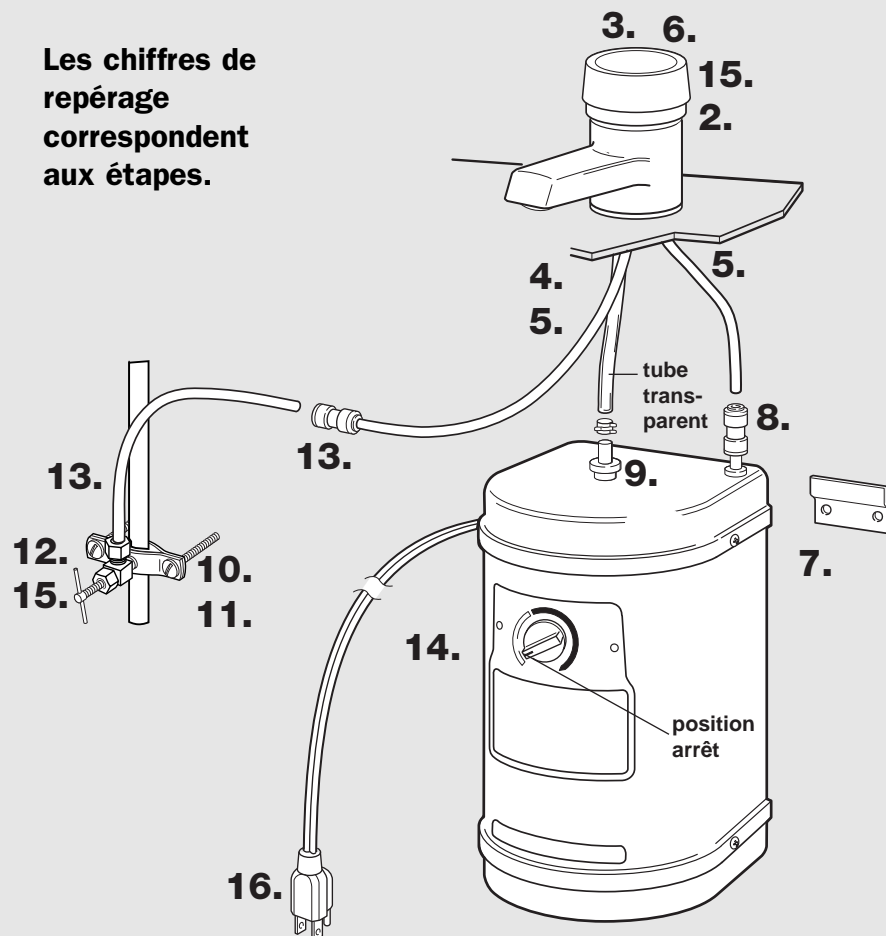
deux opérations de chauffage - de plus la barre de magnésium installée dans le chauffe-eau de la résidence pourrait produire un goût d'oeufs pourris.

Si cet appareil remplace un distributeur d'eau chaude raccordé à une canalisation d'eau chaude, on peut utiliser le branchement existant.

Un filtre est recommandé si votre approvisionnement en eau contient du sable, des granules ou autres particules. Si un filtre est utilisé, la pression de l'eau au distributeur ne devrait pas baisser en-dessous de 138 kPa (20 lb/pi<sup>2</sup>).

# Instructions d'installation

Les chiffres de repérage correspondent aux étapes.



NOTE: Ne PAS brancher le cordon d'alimentation dans une prise.

**1.** Porter des gants et des lunettes de sécurité.

**2.** Déterminer à quel emplacement le distributeur d'eau chaude sera installé. Inspecter l'espace sous l'évier pour vérifier que les composants de renforcement, brides de support ou éléments de la charpente des placards permettront l'installation du robinet de puisage sans interférence. Arracher l'opercule

du trou dans le rebord de l'évier, ou percer un trou dans l'évier ou le dessus du comptoir.

**REMARQUE : S'il est nécessaire de percer un trou dans l'évier ou le comptoir, il est recommandé que cette opération soit exécutée uniquement par un plombier ou installateur professionnel qualifié.**

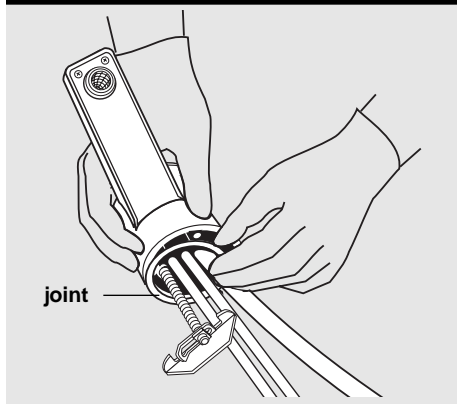
Bouton de manoeuvre



**3.** Enlever le ruban adhésif et l'étiquette du robinet de puisage. **Ne pas enlever les raccords rapides du tube d'alimentation du robinet ou du réservoir.** Ne pas remplacer les raccords rapides par des raccords en laiton. Les raccords en laiton peuvent causer une contamination au plomb.

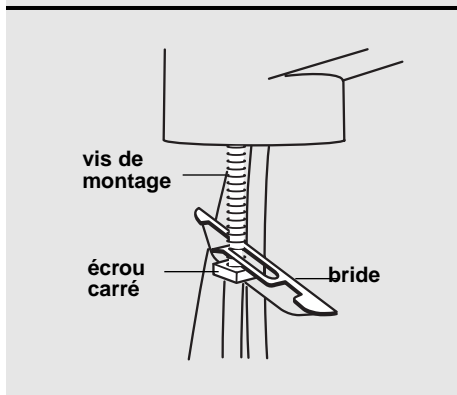
Enlever prudemment le bouton de manoeuvre du robinet et conserver celui-ci en lieu sûr.

## Instructions d'installation - suite



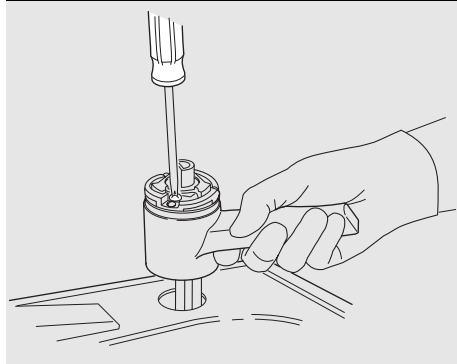
NOTE: Ne PAS brancher le cordon d'alimentation dans une prise.

**4.** Poser le robinet sur une surface plane, le tube spiralé étant orienté vers le haut. Avec une main, tenir le tube juste au-dessous du robinet; avec l'autre main, redresser prudemment le tube. Enfiler le joint par-dessus les tubes et placer la face du joint comportant une lèvre en contact avec la base du robinet.

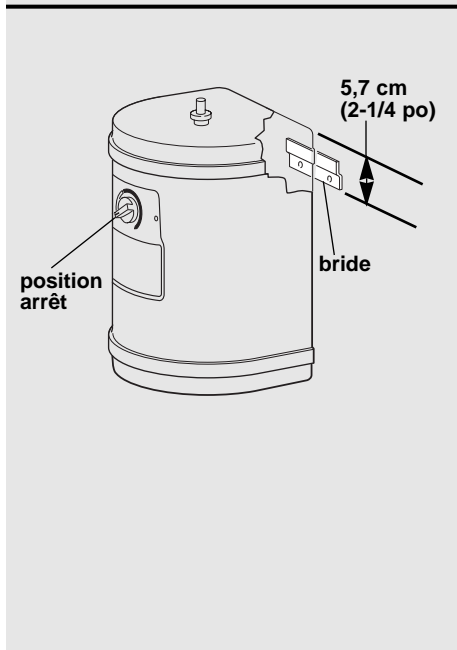


**5.** Desserrer l'écrou carré et placer celui-ci en affleurement avec l'extrémité de la vis de montage. Incliner la bride du robinet pour la placer en contact avec la vis de montage. (La bride forme un «y»

lorsque la position est correcte.) Maintenir ensemble l'écrou, la bride, le joint et le tube, et insérer l'ensemble dans le trou percé dans l'évier ou le comptoir.)



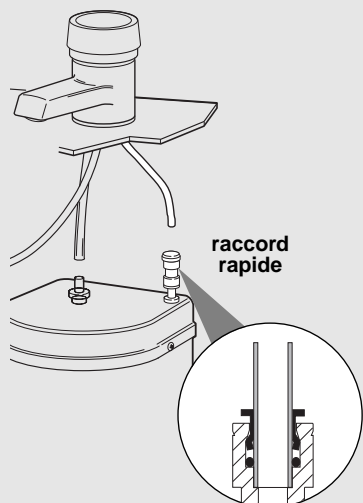
**6.** Tirer sur le corps du robinet de puisage pour maintenir la tension sur la bride de montage et l'écrou. Serrer la vis à l'intérieur du corps du robinet pour immobiliser le robinet à la position correcte. **Ne pas serrer excessivement.** Emboîter le bouton de manoeuvre.



**7.** Positionner le réservoir verticalement sous le robinet de puisage, de telle manière que le tube transparent provenant du robinet atteigne le tube de raccordement (acier inoxydable) sur le réservoir, tandis que le réservoir est en contact avec le mur. Avec un crayon, marquer sur le mur la limite supérieure de l'emplacement d'installation du réservoir. Retirer le réservoir. Tracer une seconde ligne

5,7 cm (2 1/4 po) plus bas que la première ligne. Positionner la bride de montage sur le mur de telle manière que le bas de la bride de montage soit en affleurement avec la ligne inférieure. Fixer la bride sur le mur avec deux vis (pour l'installation sur un panneau de gypse, utiliser deux chevilles de plastique). Suspendre le réservoir à la bride.

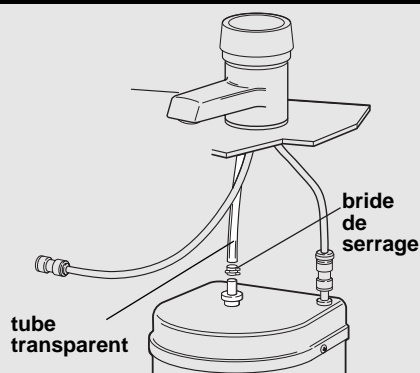
## Instructions d'installation - suite



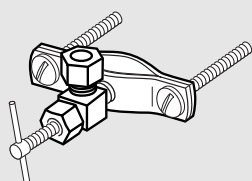
NOTE: Ne PAS brancher le cordon d'alimentation dans une prise.

**8.** Connecter le tube plus long du robinet, 6,4 mm (1/4 po) à l'arrière sur le dessus du réservoir. Pousser le tube en ligne droite dans le raccord aussi loin qu'il ira. Tirer sur le tube. Le tube ne devrait pas sortir quand il est bien installé.

**Ne pas allonger les tubes, ni les vriller ou les plier.**

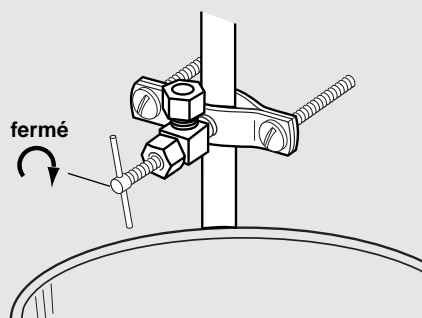


**9.** Raccorder le tube transparent provenant du robinet de puisage au tube de raccordement central au sommet du réservoir; fixer avec une bride à tuyau. S'assurer que le tube transparent ne se déforme pas.



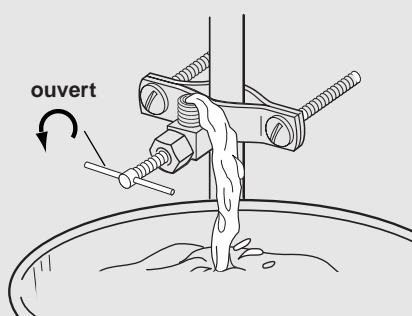
**10.** Installer l'ensemble robinet/bride de branchement conformément aux instructions fournies. Si la canalisation d'arrivée d'eau n'est pas faite de cuivre,

interrompre l'alimentation en eau et purger la canalisation. Percer un trou de 1/4 po dans la canalisation d'eau pour le passage du pointeau du robinet de branchement.



**11.** Faire tourner dans le sens horaire la manette du robinet de branchement pour que le pointeau du robinet perce le tube de cuivre ↻ de la canalisation d'eau et parvienne à la position de butée. Si la canalisation d'eau n'est pas en cuivre, faire tourner dans le sens horaire la manette du robinet de branchement jusqu'à ce que le

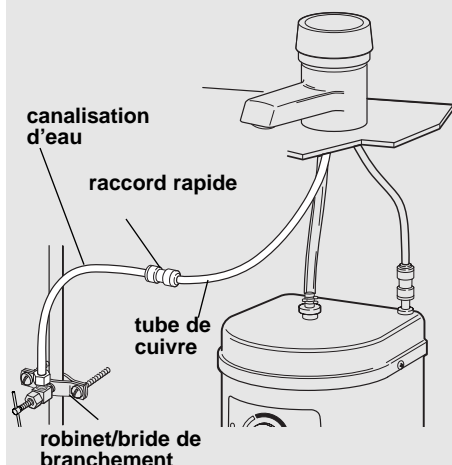
robinet soit solidement installé. Le robinet est alors fermé. Placer un récipient sous l'extrémité ouverte du tube d'alimentation du réservoir. Ouvrir l'arrivée d'eau principale pour pressuriser la canalisation d'eau froide. Inspecter pour rechercher les fuites.




**12.** Ouvrir lentement le robinet de branchement et laisser l'eau s'écouler dans le récipient en entraînant les copeaux et débris qui ont pu se former pendant l'installation du robinet de branchement. Fermer le robinet de branchement.

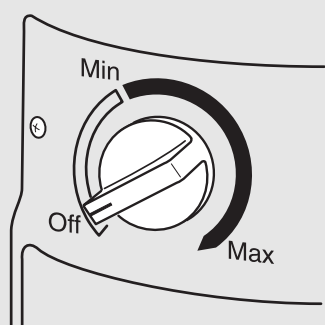


## Instructions d'installation - suite



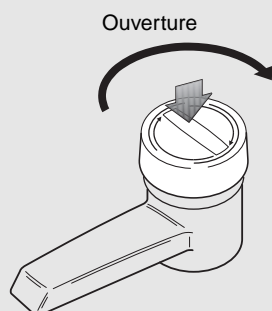
**13.** Exécuter le raccordement entre le robinet de branchement et le tube de cuivre du robinet de puisage à l'aide d'un raccord rapide. Pousser le tube de la canalisation d'eau en ligne droite dans le raccord aussi loin qu'il ira. Tirer sur le tube. Le tube ne devrait pas sortir quand il est bien installé.

Faire tourner dans le sens antihoraire  la manette du robinet de branchement pour ouvrir la canalisation d'eau.



NOTE : Ne PAS brancher le cordon d'alimentation dans une prise.

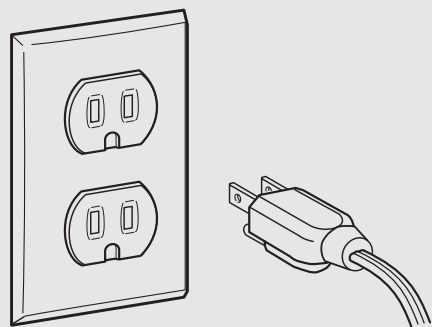
**14.** Placer le bouton de la commande de température à la position d'arrêt (OFF) (rotation dans le sens antihoraire).



**15.** Pour ouvrir le robinet, enfoncer le bouton de manoeuvre et faire tourner le bouton dans le sens horaire. Maintenir le robinet ouvert pour remplir le réservoir (environ 1 minute). Lorsque le réservoir est plein, l'eau sort par le bec du robinet. Lâcher le bouton de manoeuvre.

**REMARQUE :** Faire tourner la commande de température à la position «Arrêt» avant de brancher le distributeur d'eau chaude dans une prise de courant. Si le réservoir est vide et que le thermostat est à la position

«Marche» lorsque le cordon d'alimentation est branché, l'élément chauffant s'échauffera et causera un goût déplaisant et des taches noires dans l'eau et endommagera en permanence les joints du chauffe-eau.



**16.** Brancher le cordon d'alimentation sur une prise de courant reliée à la terre.

Faire tourner la commande de la température dans le sens horaire à la position de chauffage maximum. L'eau présente dans le réservoir atteindra sa température maximale en 15 minutes environ.

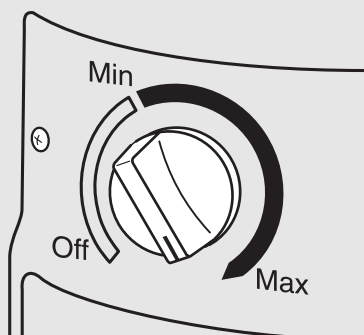
Durant le chauffage de l'eau, vous pouvez entendre un gargouillement provenant du réservoir. Il est possible qu'il y ait aussi du crachetage ou un

débit d'eau chaude au robinet. Ceci est normal pour le chauffage initial du distributeur.

S'il y a émission de vapeur ou de bruit d'ébullition, régler la commande pour une température moins élevée.

**REMARQUE :** La commande règle la puissance de chauffage dans le réservoir, et non pas dans le débit d'eau. Pour augmenter la température de l'eau, faire tourner le bouton dans le sens horaire. Pour réduire la température, faire tourner le bouton dans le sens antihoraire.

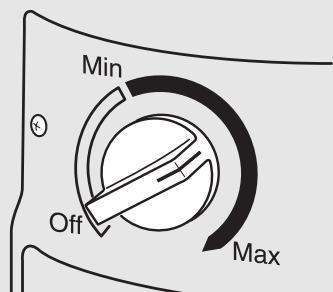
# Utilisation de votre distributeur d'eau chaude



## Avant l'utilisation initiale

Vérifier que les étapes 14 à 16 de l'installation ont été achevées.

Le distributeur d'eau chaude peut être endommagé en permanence si ces étapes ne sont pas suivies.

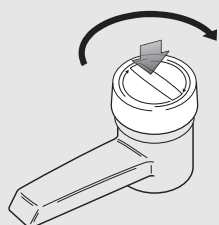


## Commande de la température

La température de l'eau est contrôlée par un thermostat. Il peut être réglé de «Arrêt» (Off) à environ 88°C (190°F).

Pour augmenter ou diminuer la température, faire tourner la commande de température. Le réglage «Max» est recommandé pour le meilleur rendement. Toutefois,

dans certaines conditions, il est possible que l'eau se mette à bouillir lorsque la commande de température est réglée à «Max». Si vous apercevez de la vapeur ou entendez l'eau bouillir, tourner la commande de la température au besoin pour abaisser la température.



## Distribution d'eau chaude

Pour ouvrir le robinet, enfoncer le bouton de manoeuvre et faire tourner le bouton dans le sens horaire et le maintenir ainsi jusqu'à l'obtention de la quantité d'eau chaude désirée. Vous pouvez contrôler le débit d'eau

en tournant plus ou moins le bouton de manoeuvre. Pour un débit maximum, faire tourner le bouton jusqu'à la butée. Relâcher le bouton de manoeuvre pour fermer l'eau.

## Usages du distributeur d'eau chaude

Peu importe le genre d'aliments que vous préparez, vous apprécierez la commodité et l'économie de temps grâce à votre distributeur d'eau chaude. Le distributeur vous permet

d'obtenir la quantité d'eau chaude désirée jusqu'à 2,28 L - (2 pintes) à la fois. Vous n'avez pas à faire chauffer une bouilloire pleine pour obtenir une tasse d'eau chaude.

### Préparation de boissons et d'aliments instantanés

Les aliments instantanés nécessitant une eau à 88°C (190°F) pour une

préparation complète comprennent :

- café
- thé
- chocolat chaud
- soupe ou bouillon
- pommes de terre en purée
- céréales instantanées
- glaçage

### Raccourcis de cuisson

L'eau à 88°C (190°F) vous donnera une avance rapide pour tout aliment à faire cuire nécessitant de l'eau bouillante tel que :

- repas emballés
- légumes frais ou congelés
- soupe en poudre
- viande cuite dans un liquide
- céréales chaudes
- pâtes et riz
- oeufs bouillis

### Autres usages

- desserrer les couvercles de bocaux
- peler des tomates ou pêches
- dissoudre de la gélatine
- décongeler les aliments
- préparer des légumes pour la mise en conserve

# Entretien de votre distributeur d'eau chaude

## Conseils d'économie d'énergie et préparation pour une période de non-utilisation

En moyenne, on utilise le distributeur d'eau chaude pour la production de 7 à 8 tasses (1,7 à 1,9 litre) d'eau chaude par jour. Ceci suscite la consommation de 19 kilowatt-heures d'énergie par mois. Il n'est donc pas nécessaire d'arrêter le système de

chauffage du distributeur chaque soir pour économiser l'énergie.

Cependant, si le distributeur d'eau chaude ne sera pas utilisé pendant une période prolongée, exécuter les instructions suivantes.

### Pour une brève période de non-utilisation (2 à 30 jours) :

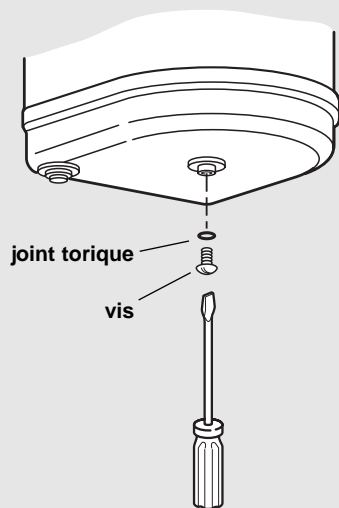
Placer la commande de température du distributeur à la position d'arrêt OFF, pour économiser l'énergie.

### Préparation pour une longue période de non-utilisation (période hivernale, remisage saisonnier ou protection contre le gel) :

1. Faire tourner le bouton de réglage de la température jusqu'à la position d'arrêt "Off".
2. Débrancher le cordon d'alimentation du distributeur d'eau chaude.
3. Faire tourner le bouton de manoeuvre; maintenir le bouton et laisser l'eau couler jusqu'à ce qu'elle soit froide.
4. Faire tourner dans le sens horaire la manette du robinet de prise en charge, pour fermer l'arrivée d'eau.

5. Placer un récipient (minimum 2,8 litres) sous le bouchon de vidange au fond du réservoir.
6. À l'aide d'un tournevis, enlever la vis et le joint torique du tube de vidange.
7. Réinstaller la vis et le joint torique dans l'ouverture du tube de vidange. Serrer la vis pour assurer l'étanchéité.

**Lorsque vous êtes prêt à utiliser le distributeur de nouveau, suivre les étapes 14 à 16 des instructions d'installation, à la page 9. Ne pas allumer le distributeur si le réservoir est vide. Vous risquez d'endommager le distributeur et ces dommages ne sont pas couverts par la garantie.**



joint torique

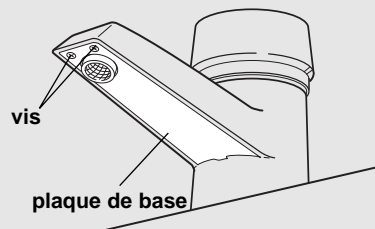
vis

## Nettoyage du filtre du robinet

Si vous avez une eau très dure et remarquez que le débit d'eau est réduit, il peut être nécessaire de nettoyer le filtre du robinet.

1. Faire tourner le bouton de réglage de la température jusqu'à la position de fermeture "Off". Appuyer sur le bouton de manoeuvre et faire tourner le bouton dans le sens horaire. Laisser couler l'eau jusqu'à ce qu'elle soit froide, pour qu'il n'y ait plus aucun risque de brûlure.
2. Dévisser les deux vis du robinet.
3. Ôter la plaque de base du robinet.

4. Tirer sur le filtre pour le sortir de la canalisation d'eau chaude.
5. À l'aide de vinaigre et d'une petite brosse, enlever les dépôts d'eau dure. Si le dépôt a durci, le faire tremper dans du vinaigre pendant une heure ou deux, puis utiliser une brosse pour le nettoyage.
6. Réinstaller le filtre dans la canalisation. Reposer la plaque sur le robinet.



vis

plaque de base

# Diagnostic

## Avant de contacter le service de dépannage...

Si le distributeur d'eau chaude ne fonctionne pas, vérifier d'abord les points suivants :

- |   |  |   |
|---|--|---|
| <input checked="" type="checkbox"/> Un fusible est-il grillé ou le disjoncteur est-il ouvert? | <input checked="" type="checkbox"/> La commande de la température est-elle réglée à la position «Arrêt»? | <input checked="" type="checkbox"/> Est-ce que l'alimentation en eau a été fermée?                |
| <input checked="" type="checkbox"/> Le cordon d'alimentation électrique est-il branché?       |  | <input checked="" type="checkbox"/> Est-ce que la prise murale est commandée par un interrupteur? |

Si vous avez besoin d'aide supplémentaire, voir le tableau ci-dessous. Ceci pourrait vous faire économiser le coût d'une visite de service pour un problème qui n'est pas couvert par la garantie.

Problème	Solution
L'eau n'est pas chaude.	<ul style="list-style-type: none"><li>■ Déterminer si le disjoncteur est ouvert ou le fusible a grillé.</li><li>■ Vérifier que le cordon d'alimentation électrique est branché sur la prise de courant murale.</li><li>■ Vérifier si la prise de courant murale est commandée par un interrupteur. L'interrupteur a peut-être coupé le courant.</li><li>■ L'eau froide est encore en cours de chauffage dans le réservoir. Attendre 15 minutes et évaluer de nouveau la température.</li><li>■ Vérifier que la commande de température est réglée à «Max».</li></ul>
Émission de vapeur, bruits d'ébullition ou eau trop chaude.	<ul style="list-style-type: none"><li>■ Régler la commande de température du distributeur d'eau chaude pour une température moins élevée, qui ne suscite pas l'émission de vapeur ou bruits. Si vous habitez à haute altitude, vous devrez peut-être réduire le réglage du thermostat pour empêcher l'eau de bouillir.</li></ul>
Écoulement ou projection de gouttes d'eau par le robinet de puisage.	<ul style="list-style-type: none"><li>■ Vérifier qu'aucun tube n'est plié ou écrasé.</li><li>■ Régler la commande de température pour une température moins élevée qui ne suscite pas d'émission de gouttelettes ou projections.</li><li>■ Inspecter le tamis de filtration du robinet. Voir Entretien du distributeur d'eau chaude, page 11.</li><li>■ Contrôler la qualité de l'installation des tubes de cuivre entre le robinet de puisage et le réservoir et entre le robinet de puisage et la canalisation d'eau froide. Voir «Instructions d'installation», pages 8-9.</li></ul>
Aucun écoulement par le robinet de puisage.	<ul style="list-style-type: none"><li>■ Vérifier que le robinet d'arrêt principal est ouvert.</li><li>■ Inspecter le tamis de filtration du robinet. Voir Entretien du distributeur d'eau chaude, page 11.</li><li>■ Si un filtre à eau est utilisé, vérifier que la pression d'eau au distributeur d'eau chaude est d'au moins 138 kPa (20 lb/po<sup>2</sup>).</li></ul>
Fuite au niveau du robinet de branchement.	<ul style="list-style-type: none"><li>■ Serrer fermement et uniformément les vis de la bride d'installation du robinet de branchement. Les deux moitiés de la bride doivent être parallèles. Veiller à ne pas déformer la canalisation d'alimentation.</li></ul>
Eau avec goût d'oeufs pourris.	<ul style="list-style-type: none"><li>■ Le distributeur d'eau chaude est alimenté sur une canalisation d'eau chaude. Raccorder le distributeur à une canalisation d'eau froide.</li><li>■ Installer un système de filtration entre la canalisation d'eau froide et le distributeur.</li></ul>

## Demande d'assistance ou de service

Avant de faire un appel pour assistance ou service, consulter la section «Diagnostic». Ceci pourra peut-être vous épargner le coût de la visite d'un dépanneur. Si une aide demeure nécessaire, procéder conformément aux instructions ci-dessous.

### Demande d'assistance ou de service aux É.-U.

**Contactez sans frais le centre d'assistance aux consommateurs de KitchenAid au 1-800-422-1230, ou consultez l'information du site Internet à l'adresse [www.kitchenaid.com](http://www.kitchenaid.com).**

**Nos consultants sont prêts à vous aider.**



Lors du contact : Veuillez communiquer la date d'achat ainsi que le numéro de série et le numéro de modèle complet de l'appareil (voir la section «Note à l'utilisateur»). Cette information nous aidera à mieux satisfaire vos besoins.

**Nos consultants vous renseigneront sur les sujets suivants :**

- Caractéristiques et spécifications sur toute notre gamme d'appareils ménagers.
- Information pour l'installation
- Procédures d'utilisation et d'entretien.

- Vente de pièces de rechange et accessoires.
- Assistance spécialisée à la clientèle (langue espagnole, malentendants, malvoyants, etc.).
- Marchands locaux, entreprises de service et distributeurs de pièces de rechange.

**Les techniciens de service KitchenAid** ont reçu la formation qui leur permet d'effectuer les travaux de réparation sous garantie et le service après-vente sur les produits partout aux É.-U.

Vous pouvez également consulter l'annuaire téléphonique Pages jaunes pour identifier une entreprise de service autorisée KitchenAid dans votre région.

### Pour acheter des pièces de rechange

Si vous avez besoin de commander des pièces de rechange, nous recommandons l'emploi uniquement de pièces autorisées par l'usine. Ces pièces seront facilement installées et fonctionneront bien parce qu'elles sont fabriquées avec la même précision mise en oeuvre dans la fabrication de chaque appareil

ménager KitchenAid\* neuf. Pour obtenir des pièces de rechange autorisées par l'usine, contacter le Centre de service autorisé le plus proche, ou composer le **1-800-442-9991**.

### Pour obtenir une assistance plus étendue

Si vous avez besoin d'une assistance plus étendue, vous pouvez écrire à KitchenAid pour nous communiquer vos questions ou préoccupations, à l'adresse suivante :

KitchenAid Brand Home Appliances  
Consumer Assistance Center  
c/o Correspondence Dept.  
2000 North M-63  
Benton Harbor, MI 49022-2692

Dans votre correspondance, veuillez indiquer un numéro de téléphone où on peut vous contacter dans la journée.

# Demande d'assistance ou de service

Avant de faire un appel pour assistance ou service, consulter la section «Diagnostic». Ceci pourra peut-être vous épargner le coût de la visite d'un dépanneur. Si une aide demeure nécessaire, procéder conformément aux instructions ci-dessous.

## Demande d'assistance ou de service au Canada

### 1. Si la cause du problème n'est pas mentionnée à la section «Diagnostic»<sup>†</sup>...



Contactez le marchand chez qui vous avez acheté votre appareil ménager ou téléphonez sans frais au Centre d'assistance aux consommateurs de KitchenAid Canada au **1-800-461-5681** entre **8 h 30 et 18 h (HNE)**, ou consultez l'information du site Internet à l'adresse [www.kitchenaid.com](http://www.kitchenaid.com).

<sup>†</sup>Lorsque vous contactez le service de dépannage, veuillez inclure une description détaillée du problème, les numéros de modèle et de série, et la date d'achat. (Voir la section «Note à l'utilisateur».) Ces renseignements nous sont nécessaires pour répondre rapidement à votre demande.

### 2. Si vous avez besoin de services de dépannage<sup>†</sup>...

Contactez la plus proche succursale de service de KitchenAid Canada ou un centre de service autorisé pour l'entretien de votre appareil ménager. (Voir liste ci-dessous.)

S'assurer que la compagnie de service contactée est autorisée à effectuer l'entretien de votre appareil ménager au cours de la période de garantie.

## Service d'appareils ménagers KitchenAid Canada Service aux consommateurs

Succursales de service direct :

<b>COLOMBIE-BRITANNIQUE</b>		1-800-665-6788
<b>ALBERTA</b>		1-800-661-6291
<b>ONTARIO</b> (à l'exception de l'indicatif régional 807)	Région d'Ottawa À l'extérieur de la région d'Ottawa	1-800-267-3456 1-800-807-6777
<b>MANITOBA, SASKATCHEWAN</b> et indicatif régional 807 en ONTARIO		1-800-665-1683
<b>QUÉBEC</b>	Montréal (à l'exception de la rive Sud) Rive Sud Montréal Québec Sherbrooke	1-800-361-3032 1-800-361-0950 1-800-463-1523 1-800-567-6966
<b>PROVINCES DE L'ATLANTIQUE</b>		1-800-565-1598

## Pour plus d'assistance

Si vous avez besoin de plus d'assistance, vous pouvez faire part de vos questions ou préoccupations<sup>^</sup> KitchenAid Canada en écrivant à :

Service des Relations à la clientèle  
KitchenAid Canada  
1901 Minnesota Court  
Mississauga, Ontario L5N 3A7

Veuillez inclure dans votre correspondance un numéro de téléphone où on peut vous joindre le jour.

# KitchenAid\*

## Garantie du distributeur d'eau chaude INSTANT HOT\*

DURÉE DE LA GARANTIE :	KITCHENAID PAIERA POUR :	KITCHENAID NE PAIERA PAS POUR :
<b>GARANTIE COMPLÈTE D'UN AN</b> À COMPTER DE LA DATE D'INSTALLATION.	Pièces de rechange et frais de main-d'oeuvre pour l'élimination des vices de matériau ou de fabrication. Les travaux doivent être exécutés par le personnel d'un établissement de service autorisé KitchenAid.	<b>A.</b> Les visites d'un dépanneur pour : <ol style="list-style-type: none"><li>1. Correction de l'installation du distributeur d'eau chaude Instant-Hot.</li><li>2. Explications du fonctionnement du distributeur d'eau chaude Instant-Hot.</li><li>3. Remplacement des fusibles ou correction du câblage de la maison.</li><li>4. Correction du circuit de conduit de plomberie de la maison.</li></ol> <b>B.</b> Réparations lorsque le distributeur d'eau chaude est utilisé autrement que dans une application familiale. <b>C.</b> Dommages résultant d'accident, altération, mauvais usage, abus, installation inappropriée ou installation non conforme aux codes locaux d'électricité et de plomberie. <b>D.</b> Les coûts des pièces de rechange et de la main-d'oeuvre pour les appareils utilisés en dehors du Canada ou des É.-U. <b>E.</b> Frais de transport de l'appareil. Ce produit est conçu pour être réparé à domicile. <b>F.</b> Au Canada, les frais de voyage ou de transport dans le cas des clients qui habitent dans des régions éloignées. 2/98

**KITCHENAID ET KITCHENAID CANADA DÉCLINENT TOUTE RESPONSABILITÉ AU TITRE DE DOMMAGES SECONDAIRES OU INDIRECTS.** Certaines provinces n'admettent pas l'exclusion ou la limitation de dommages secondaires ou indirects. Par conséquent, cette exclusion ou limitation peut ne pas vous être applicable.

**Cette garantie vous confère des droits juridiques spécifiques; vous pouvez également avoir d'autres droits, qui peuvent varier d'une province à l'autre ou d'un État à un autre.**

**Hors des États-Unis et du Canada, une garantie différente peut être applicable. Pour les détails, contacter le marchand autorisé KitchenAid.**

En cas de besoin d'assistance ou d'un service, consulter d'abord la section «Diagnostic» de cette brochure. Après avoir consulté la section «Diagnostic», on peut également trouver de l'aide supplémentaire dans la section «Demande d'assistance ou de service» ou en téléphonant à notre Centre d'assistance aux consommateurs au **1-800-422-1230** (sans frais) de partout aux É.-U. ou au **1-800-461-5681** au Canada.

PART NO.3192759

Pièce N° 3192759

©1999 KitchenAid, U.S.A.

\*Trademark of KitchenAid, U.S.A., KitchenAid Canada licensee in Canada.

\*Marque de commerce de KitchenAid, U.S.A., KitchenAid Canada porteur de licence au Canada.

Printed in U.S.A.  
Imprimé aux É.-U.